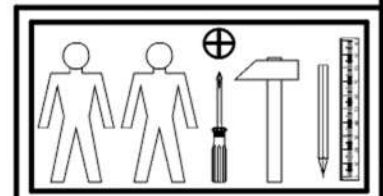
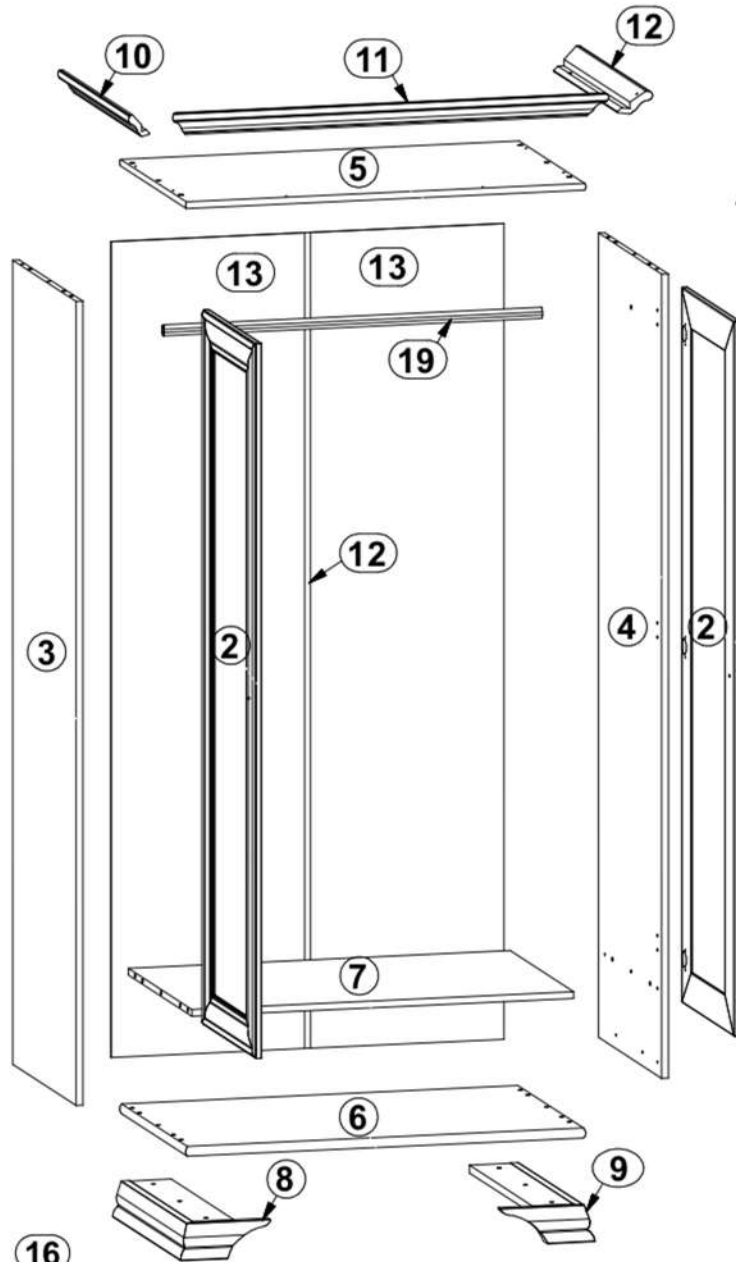
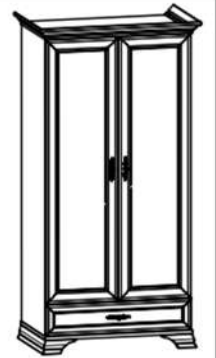
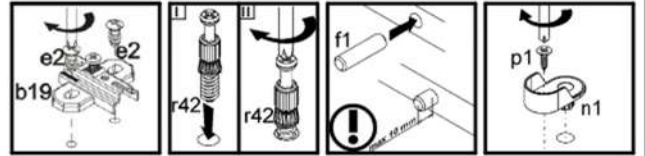
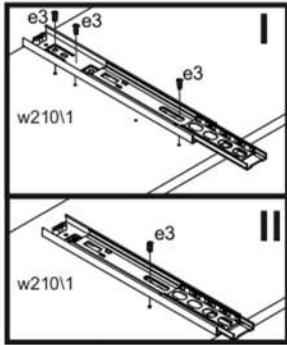
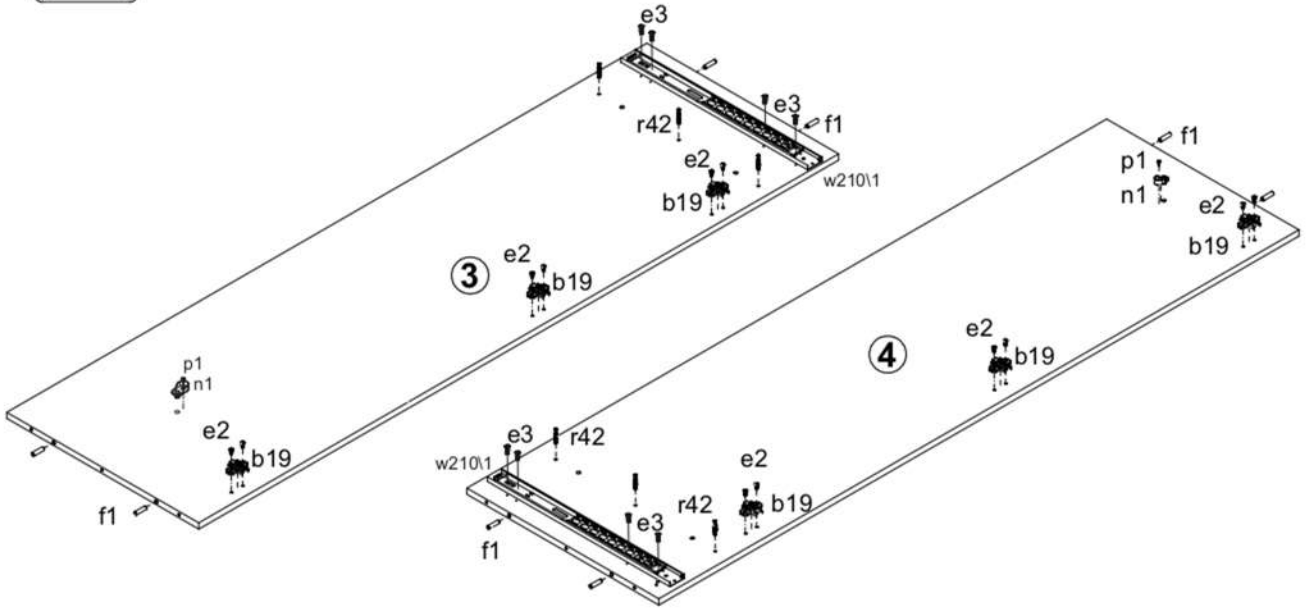


A	B	C	D	
1	S320-0002N	896	188	6/6
2	S320-0001N	1728	446	5/6
3	S320-1101N	1928	540	1/6
4	S320-1102N	1928	540	1/6
5	S320-201	912	562	2/6
6	S320-202	912	562	2/6
7	S320-301	868	540	2/6
8	S320-501	578	210	4/6
9	S320-502	578	210	4/6
10	S320-503	603	80	3/6
11	S320-504	994	80	3/6
12	S320-505	603	80	3/6
13	S320-1901N	1954	446	1/6
14	S320-902N	825	498	2/6
15	S320-565N	500	120	2/6
16	S320-566N	500	120	2/6
17	S320-5540N	810	120	2/6
18	Lh-1922	1922	14	1/6
19	dr-862	865	22	2/6

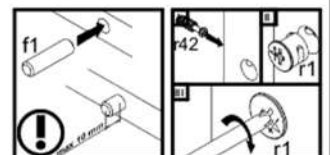
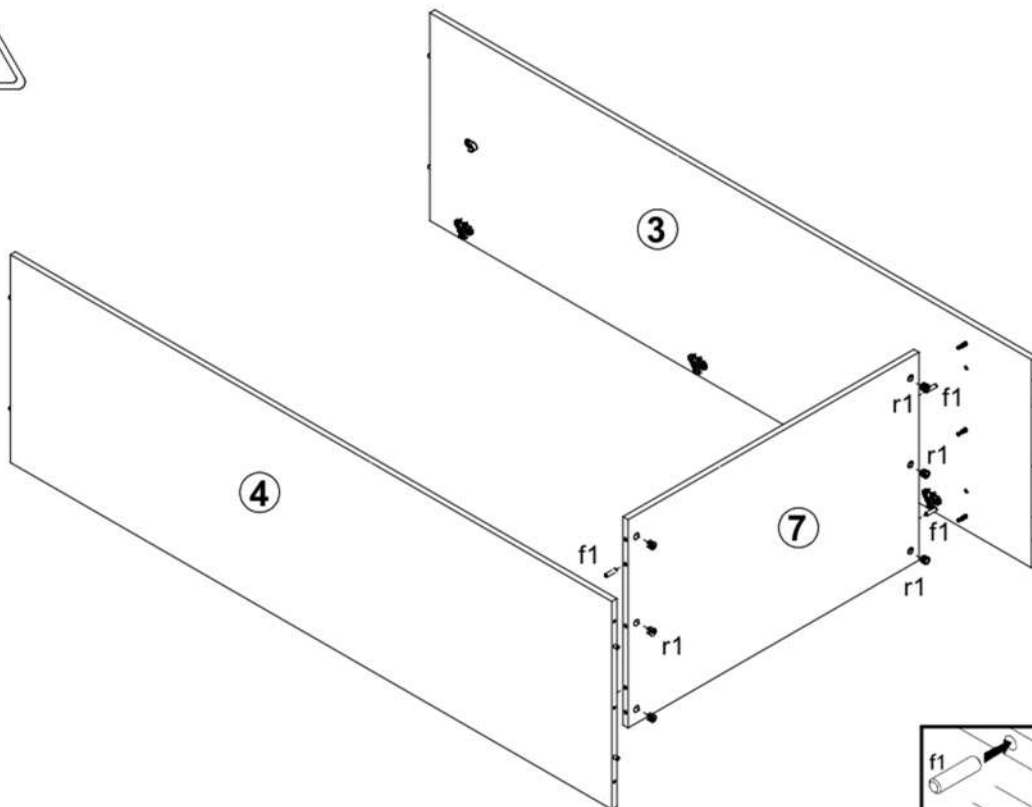


6x a44	6x b19	12x e8 φ7x60 mm	12x e2 φ6,3x13 mm	6x e26 φ7x35 mm	2x w210/1 500 mm	2x w210/2 500 mm	8x p140 φ3,5x12 mm	6x p8 φ4x25 mm
1x j59 M4x18 mm	2x j6 M4x30 mm	65x l1	2x n1	2x n40 26x26x16/1 - 125°	2x p1 φ3,5x13 mm	1x f35 φ10x50 mm	1x p17 φ5x60 mm	4x p46 φ3x7 mm
12x p51 φ3,5x15 mm	10x r1 φ15x12mm ±16	10x r42	8x e3 φ6x13 mm	14x f1 φ8x30 mm	1x n26	1x t17 483 mm	2x p25 Ø3,5x16 mm	4x f25 Ø6,5x40 mm
1x z1	4x s2 ø16	1x p38 φ3,5x16 mm	2x d4 φ6,3x15 mm	3x c35/1	3x c35/2			

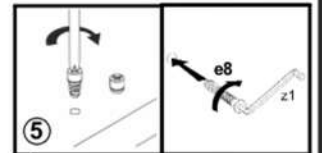
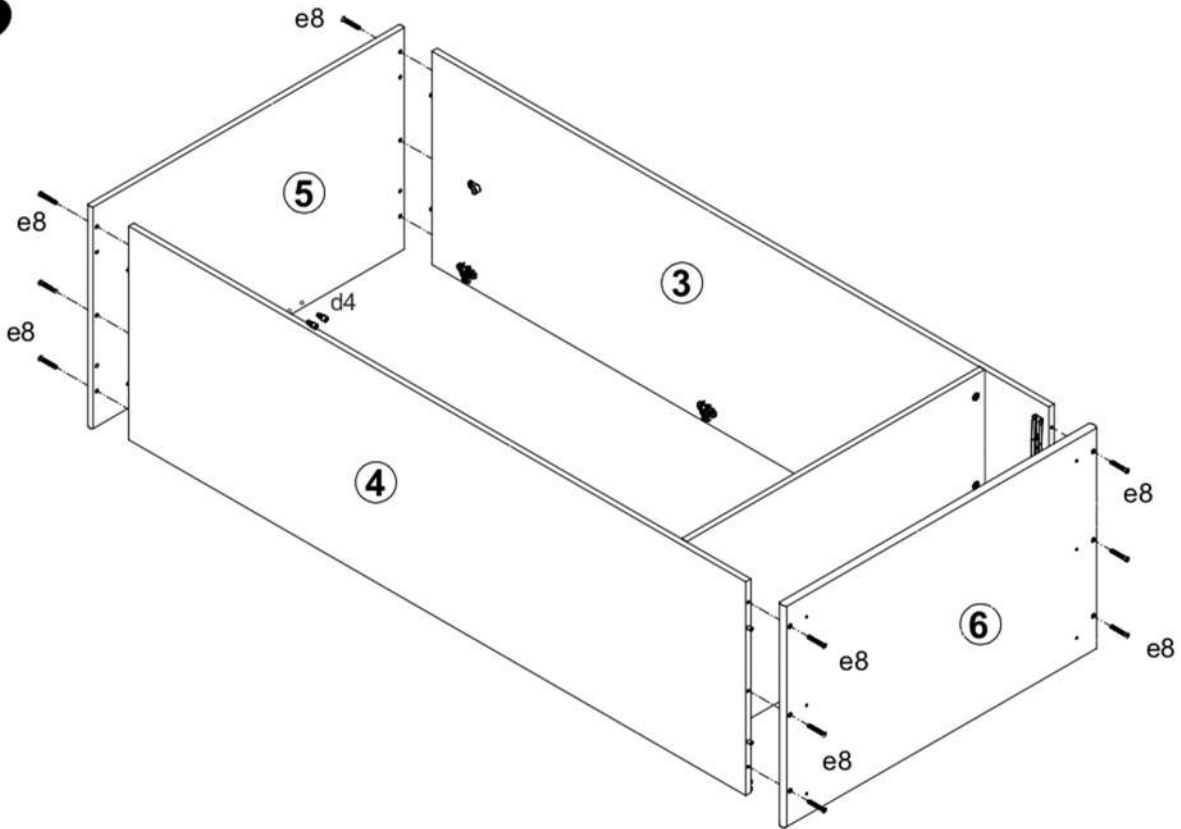
1



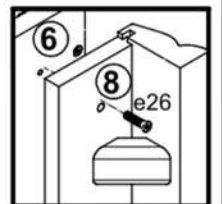
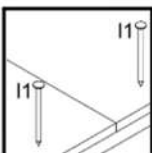
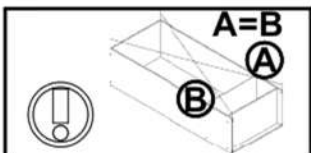
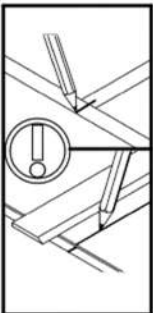
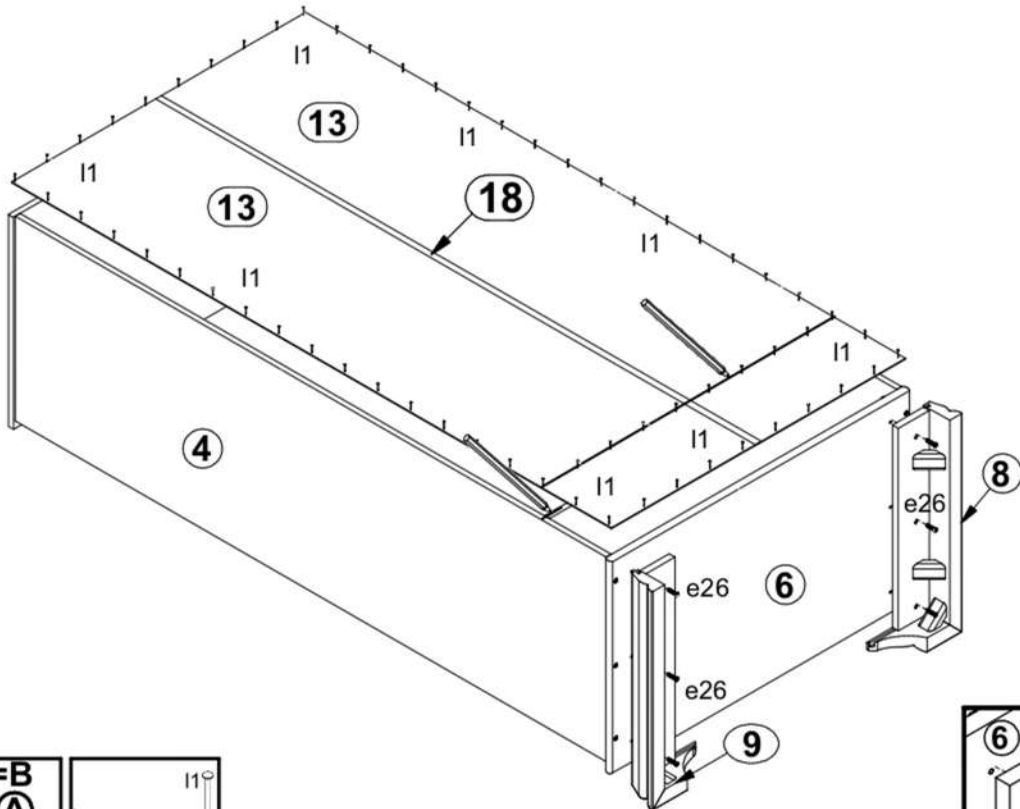
2



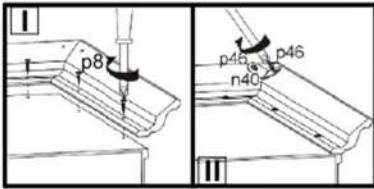
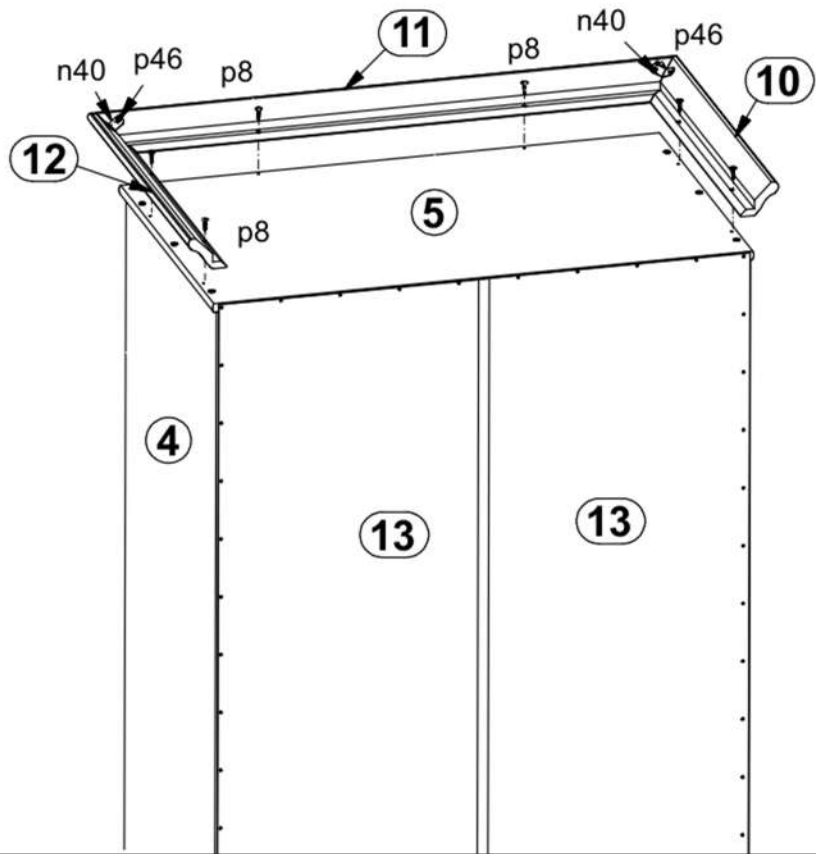
3



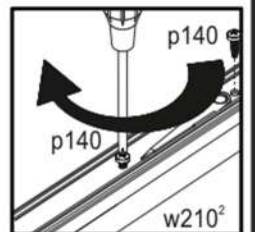
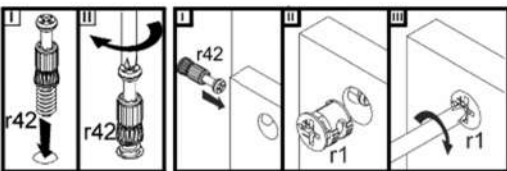
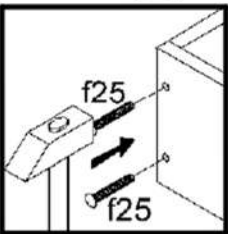
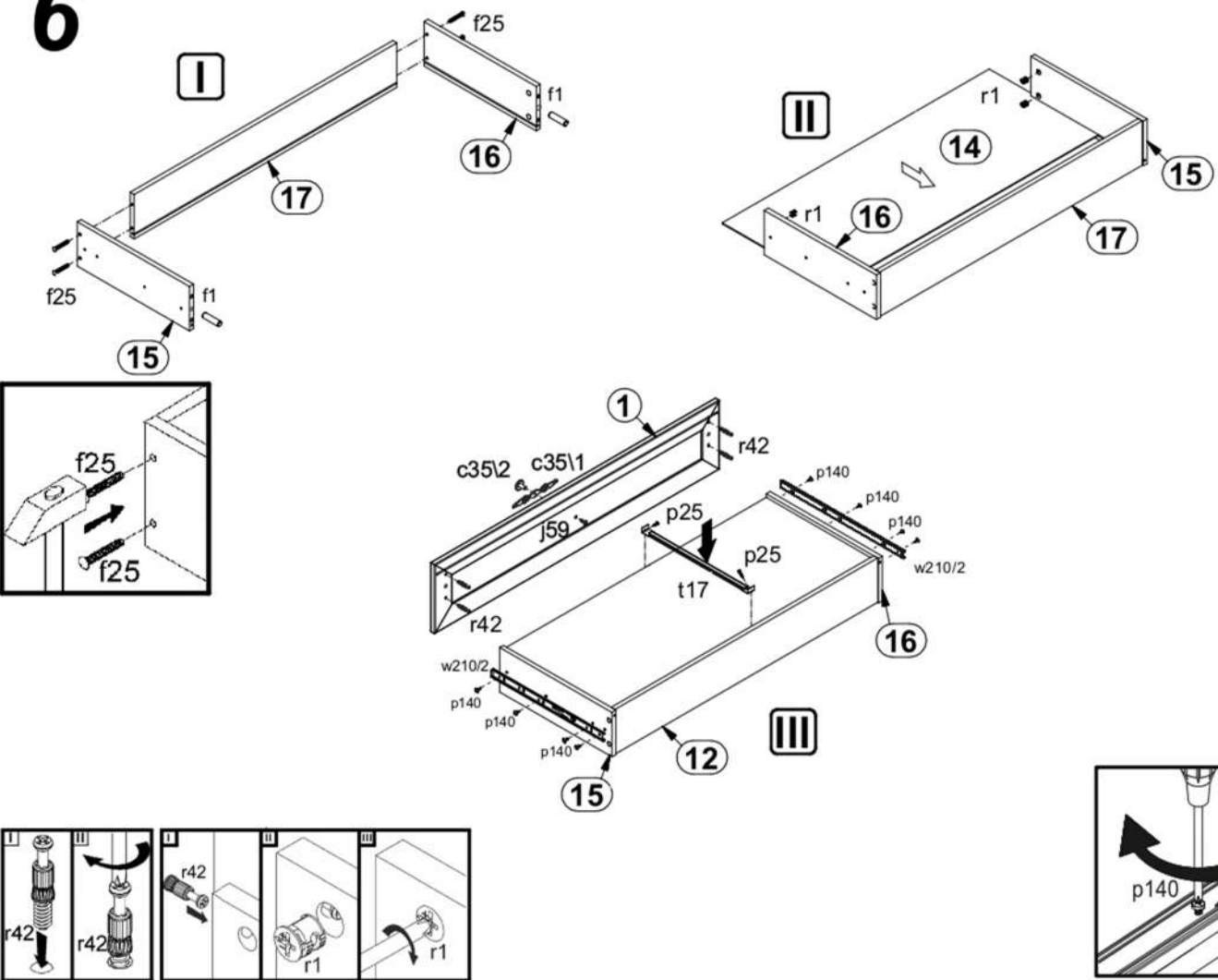
4



5



6



7

